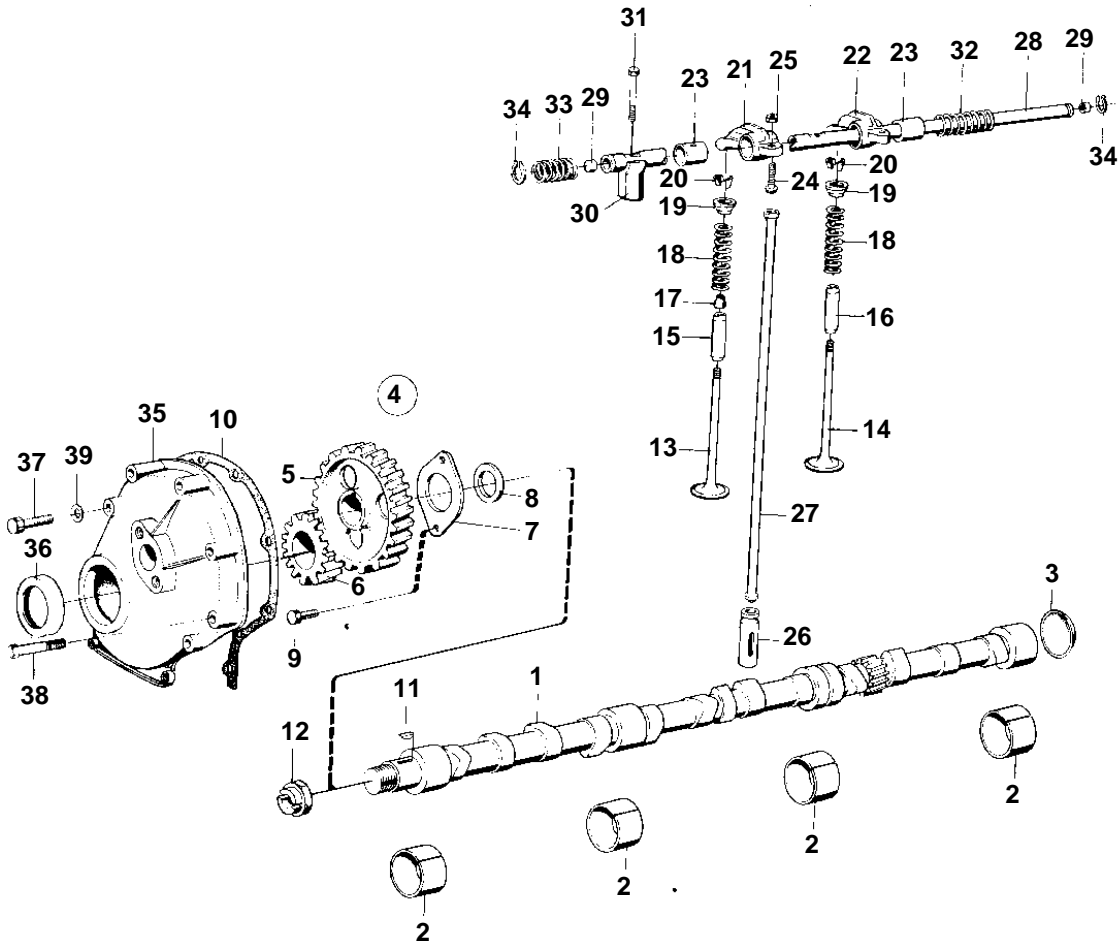


AQ165A, AQ170A, BB165A, BB170A



3347

AQ165A, AQ170A, BB165A, BB170A

| REF | PART NO. | QTY | DESCRIPTION | SEE SEC. | NOTES |
|-----|----------|-----|----------------------|----------|-------------------|
| 1 | | 1 | Camshaft | | |
| 2 | | 4 | Bushing | 12756 | |
| 3 | 463905 | 1 | Expansion plug | 12756 | |
| 4 | 875375 | 1 | Set | | |
| 5 | | 1 | · CAMSHAFT GEAR | | |
| 6 | | 1 | · CRANKSHAFT GEAR | | |
| 7 | | 1 | · THRUST FLANGE | | |
| 8 | | 1 | · Spacer ring | | |
| 9 | | 2 | · Hexagon screw | | |
| 10 | 430133 | 1 | · Gasket | | |
| 11 | 910118 | 1 | Woodruff key | | |
| 12 | | 1 | Nut | | |
| 13 | 419734 | 6 | Inlet valve | | D = 42 MM |
| 14 | 419735 | 6 | Exhaust valve | | |
| 15 | 419652 | 6 | Valve guide, INTAKE | 12738 | |
| 16 | 419653 | 6 | Valve guide, EXHAUST | 12738 | |
| 17 | 1306630 | 6 | Valve stem seal | | (419702) |
| 18 | 418737 | 12 | Valve spring | | |
| 19 | 460181 | 12 | Washer | | |
| 20 | 419643 | 24 | Valve collet | | |
| 21 | 418298 | 6 | Rocker arm | | NO. 2-4-6-8-10-12 |
| 22 | 418301 | 6 | Rocker arm | | NO. 1-3-5-7-9-11 |
| 23 | 418297 | 12 | · Bushing | | |
| 24 | 418286 | 12 | · Ball stud | | |
| 25 | 921781 | 12 | · Hexagon nut | | |
| 26 | 1218630 | 12 | Tappet | | |
| 27 | | 12 | Push rod | | |
| 28 | | 1 | Rocker arm shaft | | |
| 29 | 955083 | 2 | · Cap plug | | |
| 30 | | 6 | Bearing bracket | | |
| 31 | 191689 | 6 | Screw | | |
| 32 | 418426 | 5 | Compression spring | | |
| 33 | 411140 | 2 | Valve spring | | |
| 34 | 914456 | 2 | Snap ring | | |
| 35 | | 1 | Timing gear casing | | |
| 36 | 1276424 | 1 | Sealing ring | | (1266605) |
| 37 | 955514 | 4 | Hexagon screw | | L = 25 MM |
| 38 | 940158 | 5 | Hexagon screw | | L = 45 MM |
| 39 | 941906 | 9 | Spring washer | | |